

FUSE SWITCH-DISCONNECTORS OPVP14 UP TO 63 A



- Fuse switch-disconnectors OPVP14 are intended for cylindrical fuse-links size 14x51.
- They can safely switch off rated current and overcurrent. Devices meet the requirements for safe disconnection.
- Inverse connection is permissible and it affects neither the technical parameters nor the safety of the operator.
- Fuse switch-disconnectors OPVP14 can be sealed in the closed state.
- The devices are designed as modular for 45 mm cutout in the switchboard.
- Mounted on „U“ rail of type TH35 according to EN 60715.
- Switch-Disconnector design ...-S features LED signalization of the state of fuse-link for each pole.
- Fuse-link state can also be indicated by means of MD-M3 electronic signalling.

Fuse switch-disconnectors

Type	Order code	I_n [A]	Number of poles	Weight [kg]	Package [pcs]
OPVP14-1	OEZ:41024	63	1	0.097	6
OPVP14-1-S	OEZ:43688		1	0.098	6
OPVP14-1N	OEZ:43691		1+N	0.218	3
OPVP14-2	OEZ:41025		2	0.202	3
OPVP14-2-S	OEZ:43689		2	0.203	3
OPVP14-3	OEZ:41026		3	0.304	2
OPVP14-3-S	OEZ:43690		3	0.305	2
OPVP14-3N	OEZ:43692		3+N	0.427	1

Accessories


Description	Type	Order code	Weight [kg]	Package [pcs]
3-pole interconnecting busbar , cross-section 16 mm ² rated operating voltage AC 415 V, max. current at power supply of one's end 80 A, max. current at power supply of middle 130 A, length 1 m, it is possible to use maximum 4 pieces of 3-pole devices (12 poles)	S3L-27-1000-16	OEZ:37380	0.240	1
3-pole interconnecting busbar , cross-section 25 mm ² , rated operating voltage AC 415 V, max. current at power supply of one's end 100 A, max. current at power supply of middle 180 A, length 1 m, it is possible to use maximum 5 pieces of 3-pole devices (15 poles)	S3L-27-1000-25	OEZ:37381	0.240	1
3-pole interconnecting busbar , cross-section 16 mm ² , rated operating voltage AC 415 V, max. current at power supply of one's end 65 A, max. current at power supply of middle 130 A, length 156 mm (6 poles)	S-3L-27-156/16SN	OEZ:11892	0.065	1
End cap , for 3-pole rails of cross-section 16 mm ²	EKC-2+3	OEZ:37384	0.001	10
End cap , for 3-pole rails of cross-section 25 mm ²	EKC-3-36	OEZ:37386	0.002	10
Terminal extension , for connection of Cu/Al conductor of cross-section 2.5 ÷ 50 mm ² , if the adapter is used, it is not possible to use the interconnecting busbar	AS-50-S-AL01	OEZ:38749	0.02	1
Terminal extension , with long terminal, cross-section Cu 6 ÷ 50 mm ²	AL-50-S-L	OEZ:63149	0.033	1
Connection block , enables power supply of interconnecting busbars by conductors of cross-section up to 35 mm ² , the use of the block extends the mounting with by additional N-poles.	ES-35-GS	OEZ:37388	0.03	10
Adapter for busbar system with spacing 60 mm, busbar thickness 5 or 10 mm, busbar width 12 ÷ 30 mm	GA-60/63/54-1x7,5	OEZ:11883	0.56	1

Specifications

Rated operating current	I_e	63 A
Rated operating voltage	U_e	AC 690 V / DC 440 V
LED signalling voltage range		AC/DC 110 ÷ 690 V
Utilization category		AC 400 V AC-22B
		AC 690 V AC-21B
	1-pole connection	DC 100 V DC-21B
	2-pole and 3-pole connection	DC 250 V DC-21B
Rated thermal current with fuse-link	I_{th}	63 A
Rated frequency	f_n	50 ÷ 60 Hz
Rated insulation voltage	U_i	AC 800 V
Rated conditional short-circuit current with fuse-links PV (RMS)		AC 400 V 100 kA
		AC 690 V 80 kA
Rated impulse withstand voltage	U_{imp}	6 kV
Fuse-link size	diameter x length	14x51
Max. power losses of the fuse-link	P_v	6.5 W

FUSE SWITCH-DISCONNECTORS OPVP14 UP TO 63 A

Specifications

Rated short-time withstand current	I_{cw} 1s	1.6 kA
Rated short-circuit making capacity at DC 440 V	I_{cm}	6.9 kA
Electrical endurance	operating cycles	300
Mechanical endurance	operating cycles	2 000
Degree of protection from front side, built-in device, cover closed		IP20
Connection cross-section		Cu / 1.5 ÷ 35 mm ²
Torque		2.5 ÷ 3 Nm
Operating ambient temperature	t	-25 ÷ +55 °C
Max. sea level		2 000 m
Seismic resistance according to VE ŠKODA		3 g / 8 ÷ 50 Hz
Overvoltage category / Rated voltage		I(II*) / AC 690 V, II(III*) / AC 500 V, III / AC 400 V
Standards		IEC 60947-1, -3; EN 60947-1, -3
Approval marks		

* For underground cable distribution systems with overvoltage protection or for exposure to a low thunderstorm electricity (table H2 EN 60947-1, IEC 60947-1).

EN 60947-3 ed. 2/A2, p. C.5 Instructions for the use of 1-pole controlled devices states:

These devices are intended for distribution systems, with possible necessity of switching and/or safe disconnection of individual phases, and must not be used for switching a primary circuit of a three-phase equipment.

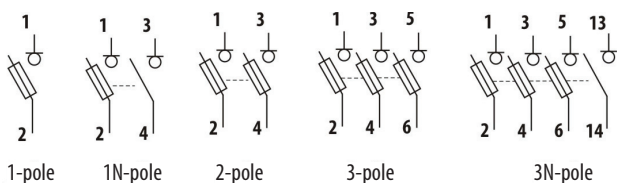
Reduction of rated current of fuse-links PV gG, aM according to the number of poles

Type	I_n [A]	Reduced rated current [A] (number of poles)					
		1	2	3	5	7	10
OPVP14	63	63	63	63	63	63	63

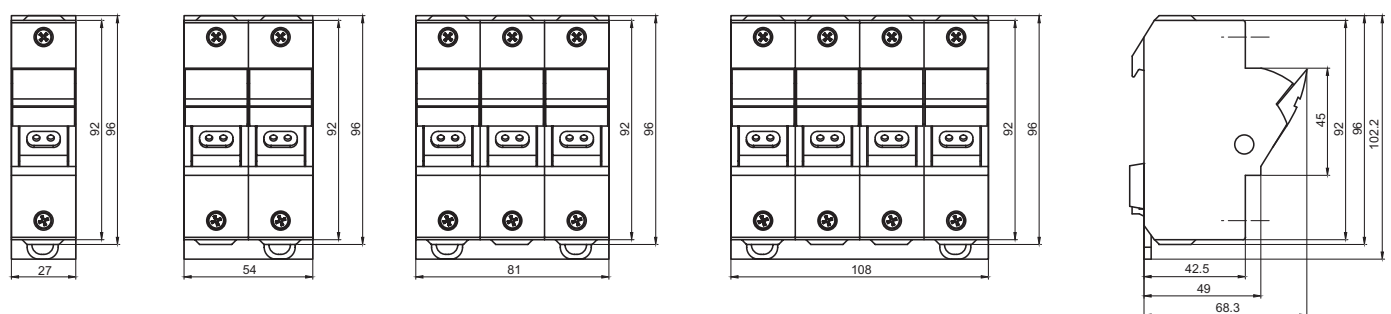
Fuse switch-disconnector with disconnecting link

Rated operating current	I_e	63 A	
Thermal current with disconnecting link ZPV10	I_{th}	110 / 35 mm ²	
Utilization category		AC-20B	
Rated short-time withstand current	I_{cw} 1s	1.6 kA	
Rated short-circuit making capacity	I_{cm}	AC 690 V	6.9 kA
		DC 440 V	5 kA
Power losses with disconnecting link at I_e	P_v	5 W	
Connection cross-section		1.5 ÷ 35 mm ²	

Diagram

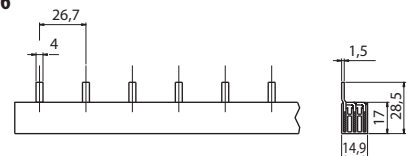


Dimensions

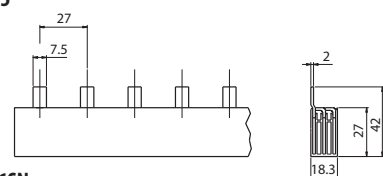


Interconnecting busbars

S3L-27-1000-16



S3L-27-1000-25



S-3L-27-156/165N

